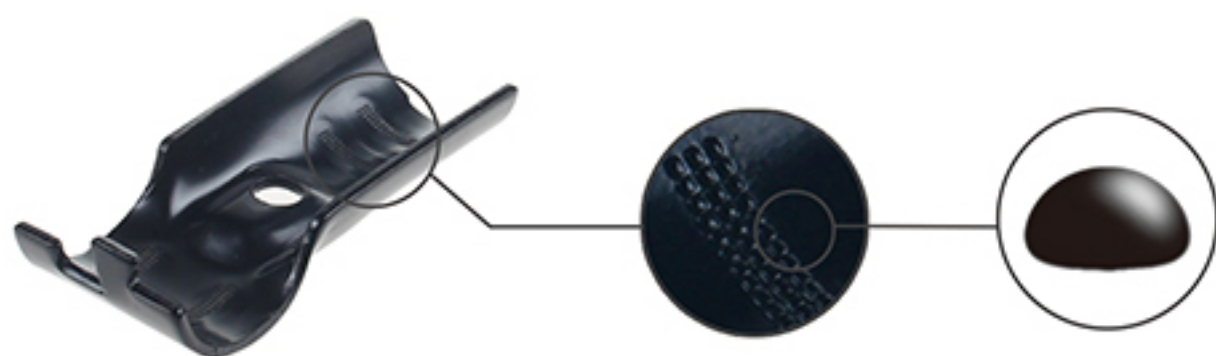


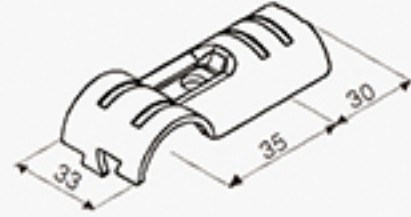
H Series T2.3 (Economic)

METAL JOINTS



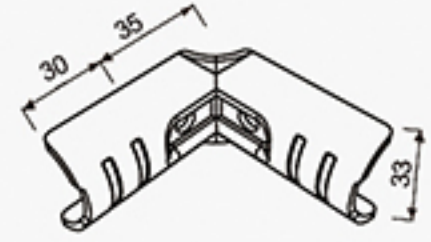
Unit : mm

H-1



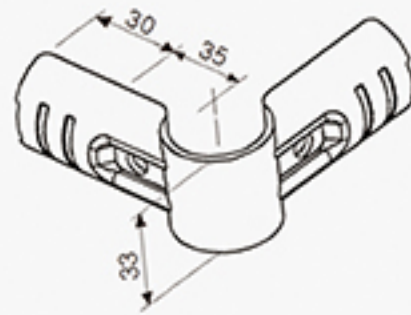
Kg/PC	0.061
PC/CTN	300

H-2



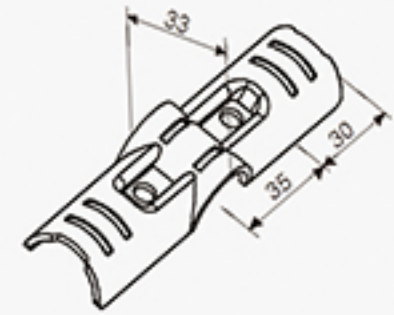
Kg/PC	0.086
PC/CTN	200

H-3 (Ungrip Type)



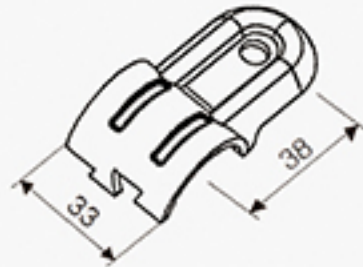
Kg/PC	0.111
PC/CTN	80

H-4



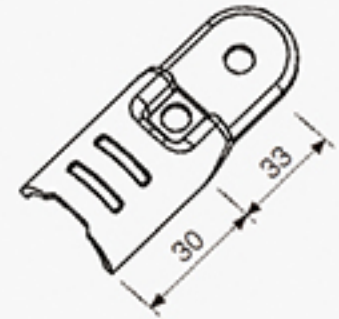
Kg/PC	0.098
PC/CTN	200

H-5



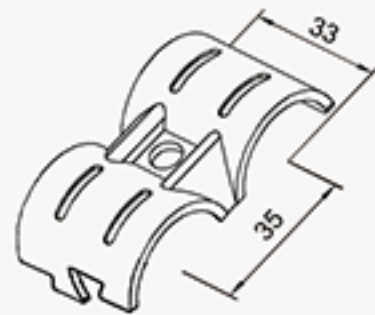
Kg/PC	0.042
PC/CTN	300

H-6



Kg/PC	0.055
PC/CTN	300

H-13A



Kg/PC	0.050
PC/CTN	330

H-90



Kg/PC	0.095
PC/CTN	150